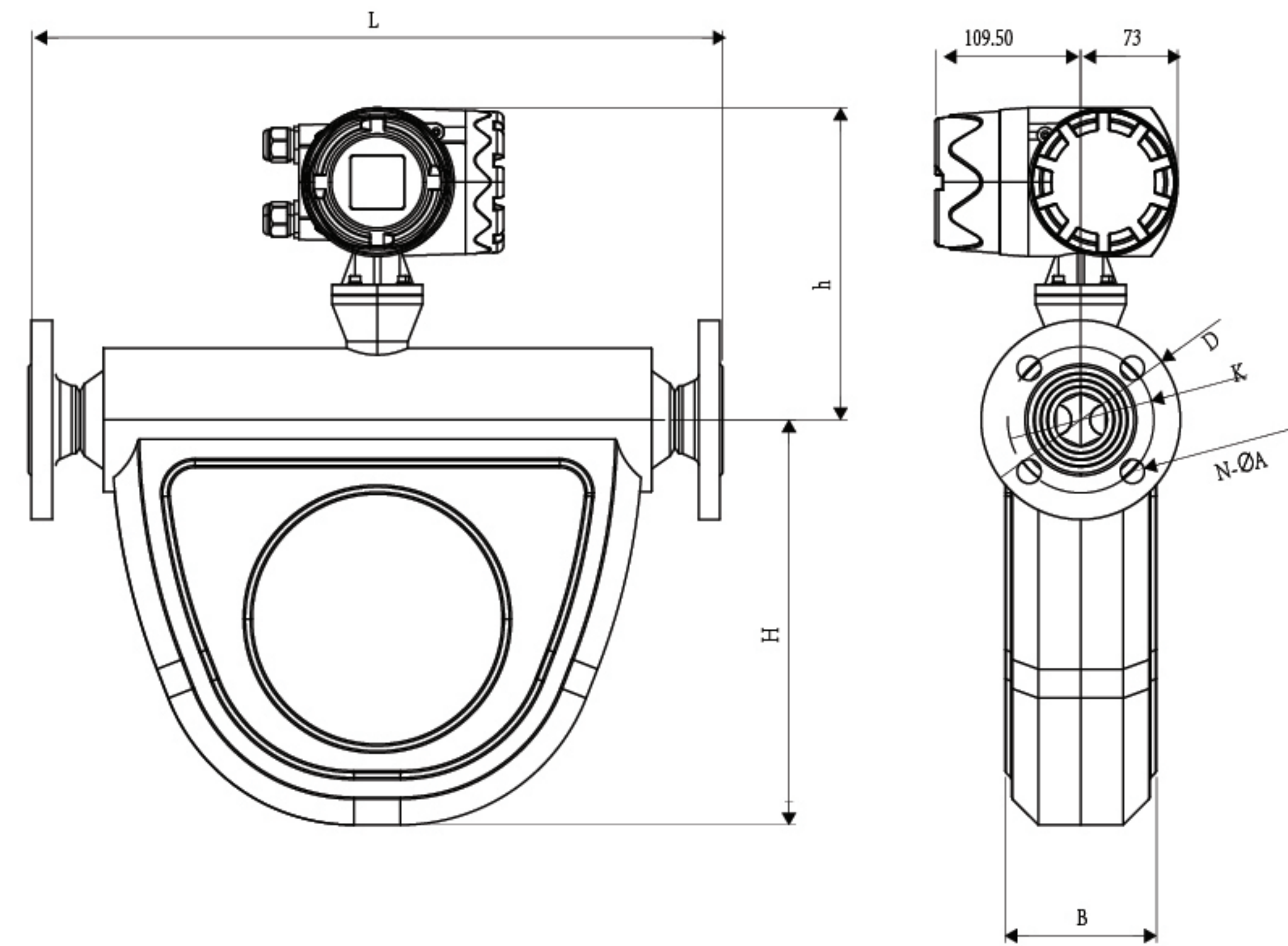


The Series KF900U-FA Coriolis Mass Flowmeters

Pipe sizes from 15 to 50 mm, U-tube design with flange connections, explosion-proof



The Series KF900U-FA Coriolis Mass Flowmeters employ advanced DSP digital signal processing and fully digital drive technology, significantly enhancing flow stability. The display features a large OLED screen for smoother, clearer visuals that remain stable even at low temperatures. The instrument supports real-time self-diagnosis, monitoring various issues and providing alarms. Additionally, it includes multiple signal interfaces such as current, pulse, and RS485, along with various functional options to accommodate different working conditions. A capacitive button design allows convenient operation without needing to open the converter's cover. It boasts an exceptionally wide range ratio, enhanced precision, and superior stability

FEATURES

- High accuracy, 0.1% of reading
- U-tube design, high range ratio, good stability
- Integral welding structure, sturdy and durable
- Explosion-proof Ex d IIC T6 Gb
- Accurate measurement even when the medium contains gases
- Fast and comprehensive digital signal processing
- High-precision density measurement
- No crosstalk: unaffected by installation and process conditions

SPECIFICATIONS	
Service	Liquids, including highly viscous media, non-homogeneous mixtures, and media with solid content or entrained gas
Pipe Size	15mm to 50mm
Material	316L
Accuracy	±0.1%, ±0.15%, ±0.2%, ±0.3%RD within the range
Temperature Rating	-50°C to 100°C for integral display; -50°C to 125°C for integral display high-temperature option; -150°C to 250°C for remote display
Pressure Rating	PN40, optional PN63
Enclosure Rating	IP67, optional IP68 (remote)
Output	4-20mA + pulse
Communication	HART or RS-485
Display	OLED, Size 58mm x 29mm
Display Units	Mass flow: kg/s, kg/m, kg/h, t/s, t/m, t/h; mass totalizer flow: kg, t; volume flow: L/s, L/m, L/h, m³/s, m³/m, m³/h; volume totalizer flow: L, m³; density: g/cm³, g/L, kg/L, kg/m³
Power Supply	18-265V AC or 18-36V DC
Process Connection	DIN Flange, ANSI flange, JIS Flange
Explosion Rating	Ex d IIC T6 Gb
Converter Size	181.5mm x 171mm x 141mm
Converter Weight	1.35 Kg

APPLICATIONS

- Petrochemical Industry
- Metallurgical Industry
- Textile Industry
- Pharmaceutical Industry
- Semiconductor Industry
- Food and Beverage Industry
- Papermaking and Pulp
- Power Plants
- Urban Water Supply and Drainage
- Environmental Protection
- New Energy Industry
- Shipbuilding Industry

MODEL CHART							
Example	KF900U-FA	-15	-A1	-DIN	-R	-10	-EXP
Series	KF900U-FA						Coriolis Mass Flowmeters
Pipe Size		15					DN15, range: 300 kg/h to 3000 kg/h, zero stability: 0.25 kg/h, L x D x K x B x H x h x N-ΦA = 304x95x65x80x190x202mm x 4-Φ14
		25					DN25, range: 1500 kg/h to 15000 kg/h, zero stability: 0.75 kg/h, L x D x K x B x H x h x N-ΦA = 420x115x85x90x230x214mm x 4-Φ14
		40					DN40, range: 3500 kg/h to 35000 kg/h, zero stability: 3.00 kg/h, L x D x K x B x H x h x N-ΦA = 520x150x110x103x303x226mm x 4-Φ18
		50					DN50, range: 3500 kg/h to 35000 kg/h, zero stability: 3.20 kg/h, L x D x K x B x H x h x N-ΦA = 532x165x125x103x303x226mm x 4-Φ18
Converter Type			A1				Integral display (-50°C to 100°C)
			A2				Integral display with high-temperature rating (-50°C to 125°C)
			B2				Remote display (-150°C to 250°C)
Process Connection				DIN			DIN Flange
				ANSI			ANSI Flange
				JIS			JIS Flange
Output					R		4-20mA + Pulse + RS485
					H		4-20mA + Pulse + HART
Accuracy						10	0.1% Reading of the Range
						15	0.15% Reading of the Range
						20	0.2% Reading of the Range
						30	0.3% Reading of the Range
Options							EXP Explosion Proof, Ex d IIC T5 Gb
							HP High pressure rating to PN63
							LF Low flow measurement, please consult the factory
							IP68 IP68 (Remote only)